

# EVO15

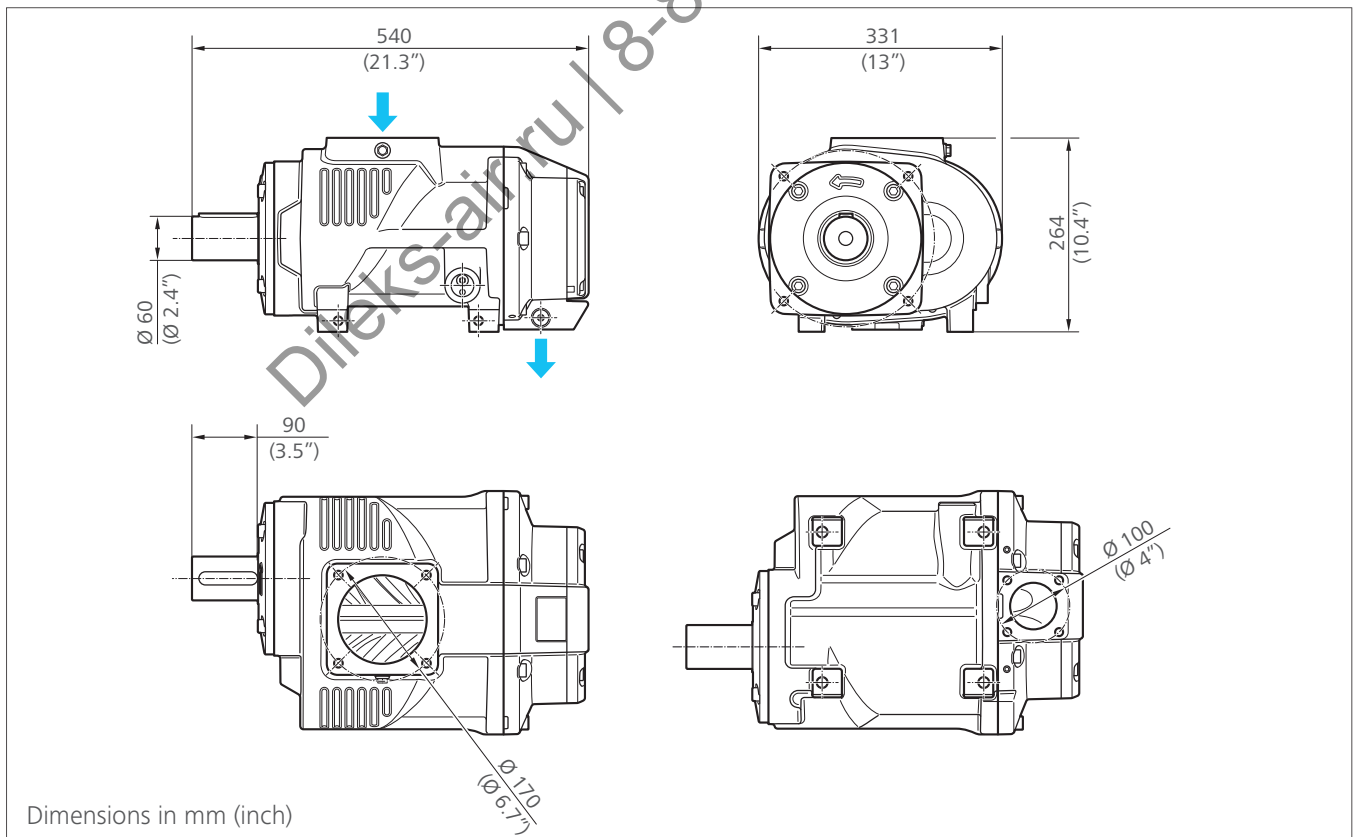
## Air end



### TECHNICAL SPECIFICATION

› Power range up to	90 kW / 121 HP
› Capacity up to	14,3 m <sup>3</sup> /min / 505 cfm
› Pressure up to	15 barg / 218 psig
› Weight approx.	126 kg / 278 lb

### ››› Dimensioning

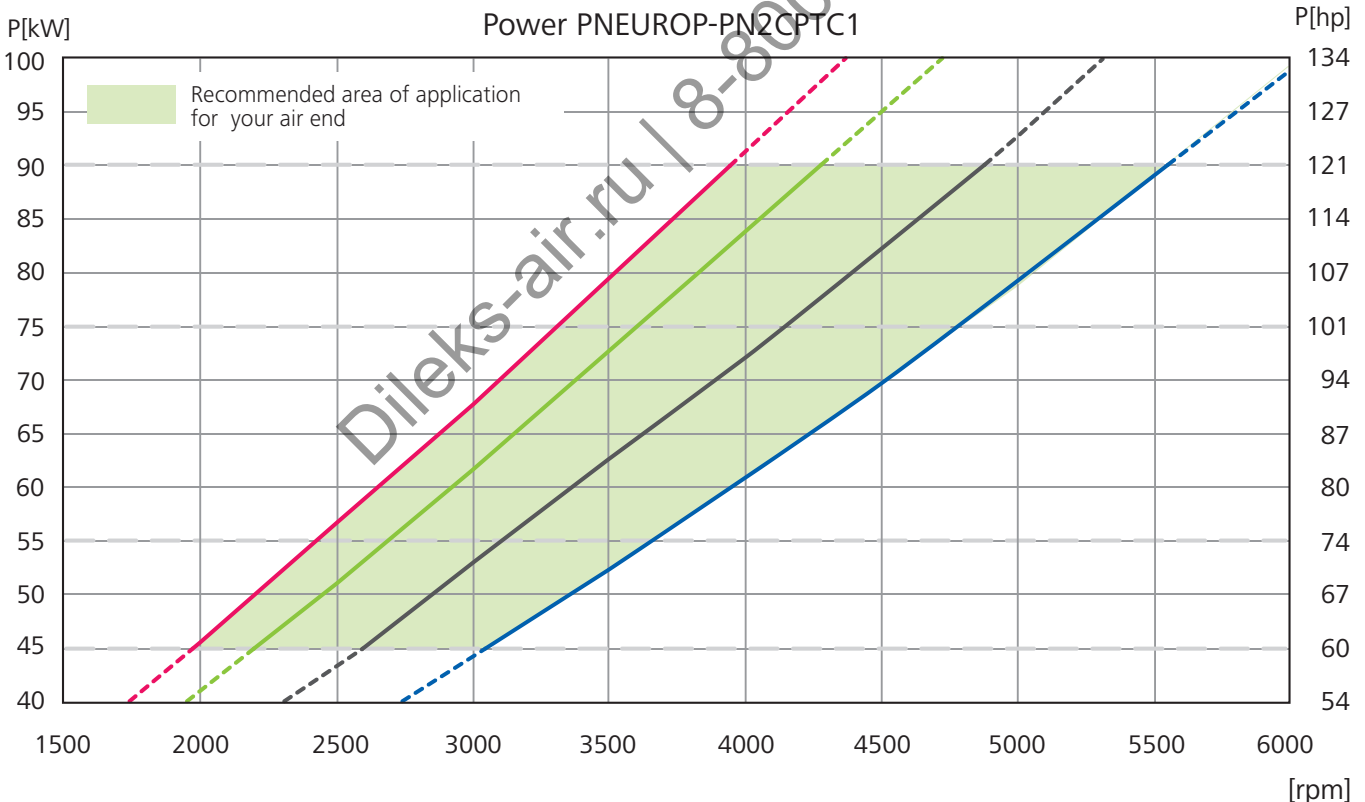
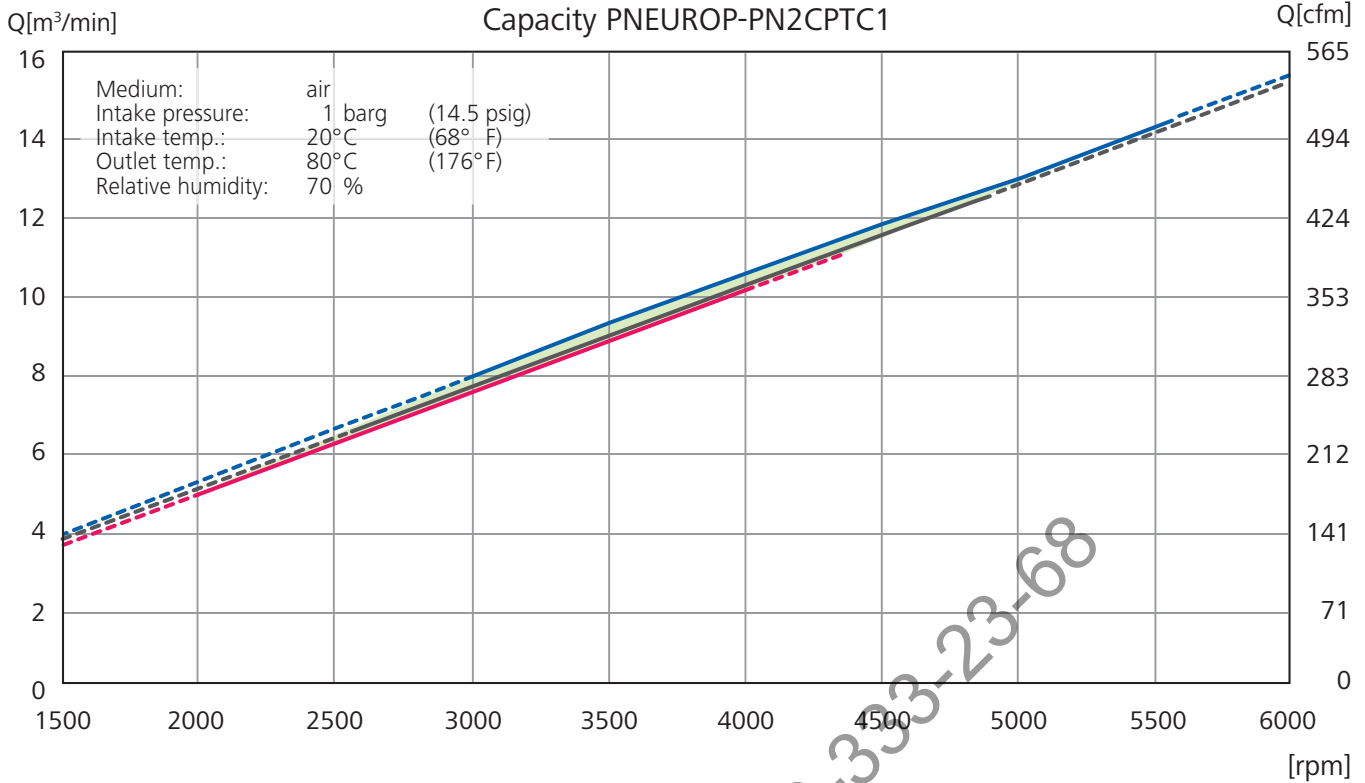


Current Installation Drawing/3D model is available upon request.

Technical modifications and errors excepted!  
© 2012 ROTORCOMP®, Germany



# Performance Data (Preliminary Data)



— — Typical motor characteristic lines

