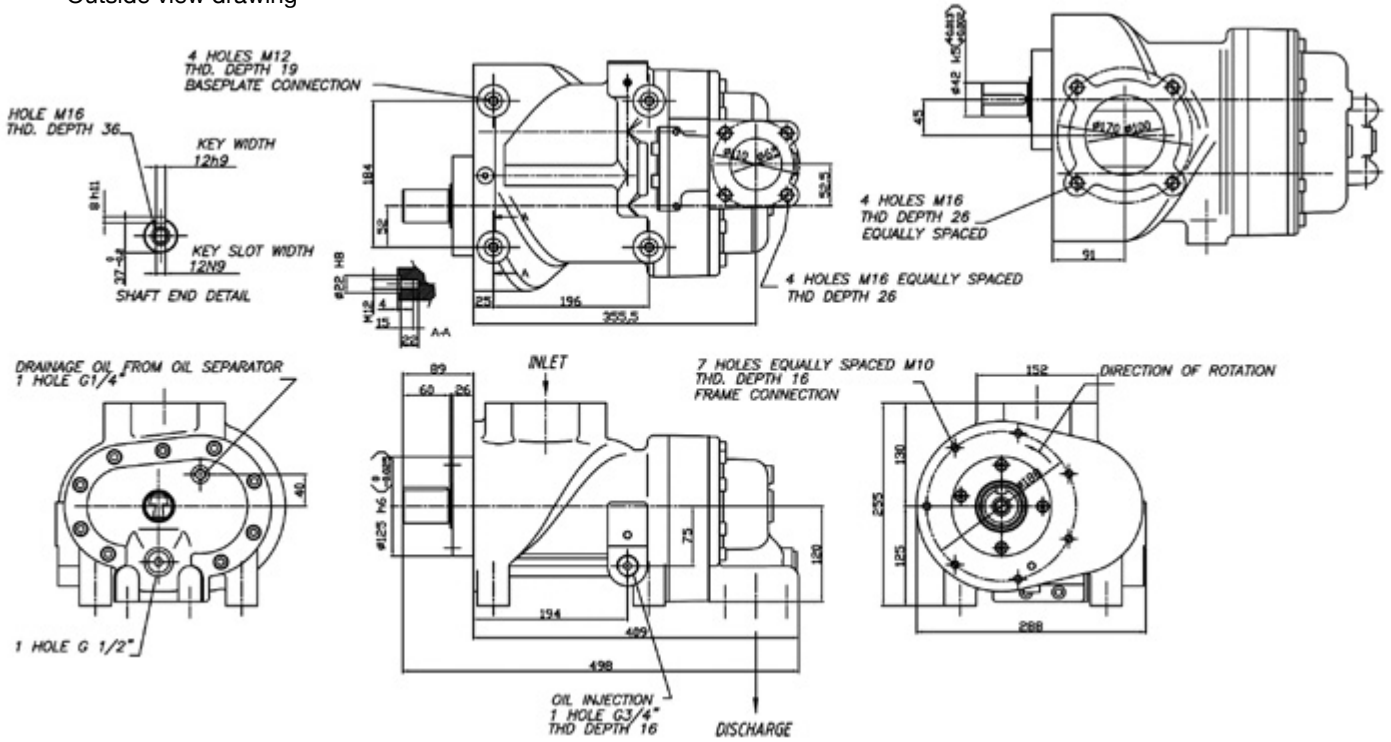




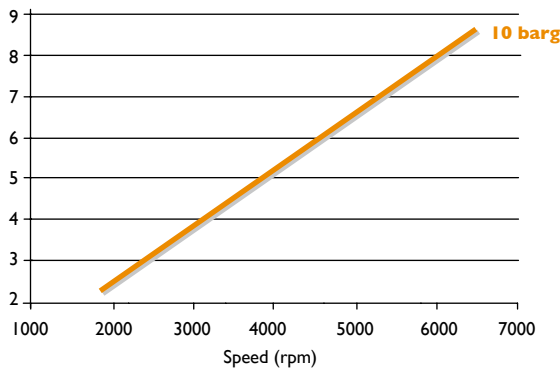
SCA13D-R

Outside view drawing

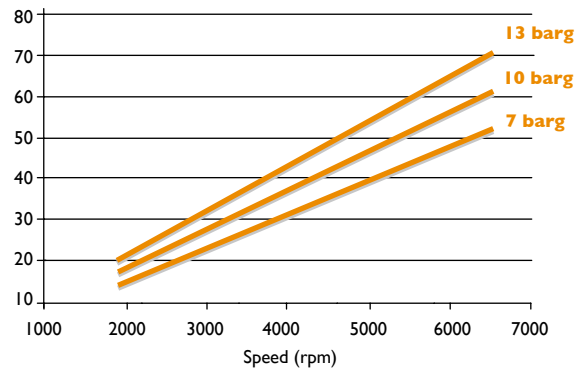


Data Tables

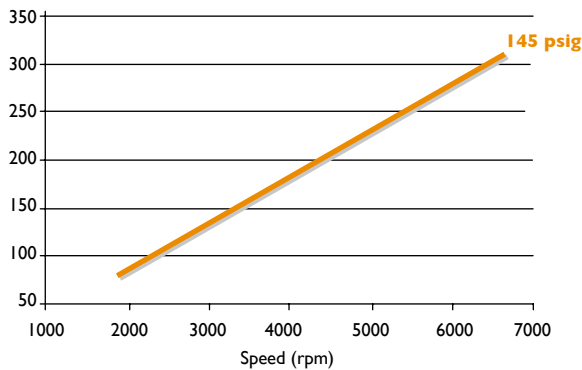
Air Capacity (mc/min)



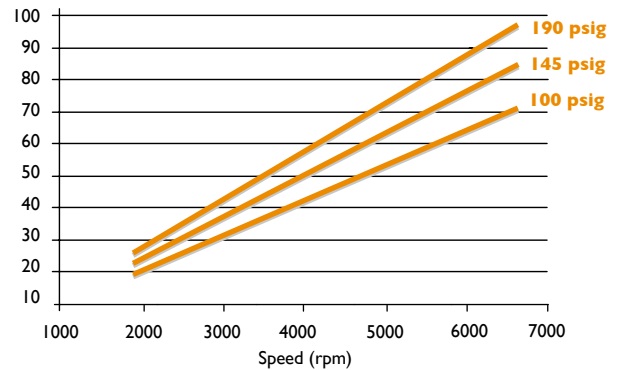
Power (kW)



Air Capacity (cfm)



Power (HP)



Drive: Male
Lobe combination: 5/6
Male rotor size: 126 mm

Female rotor size: 105 mm
L/D: 1,70

Working pressure: min 3 barg/40 psig - max 15 barg/220 psig
Weight: 74 kg - 163 lbs